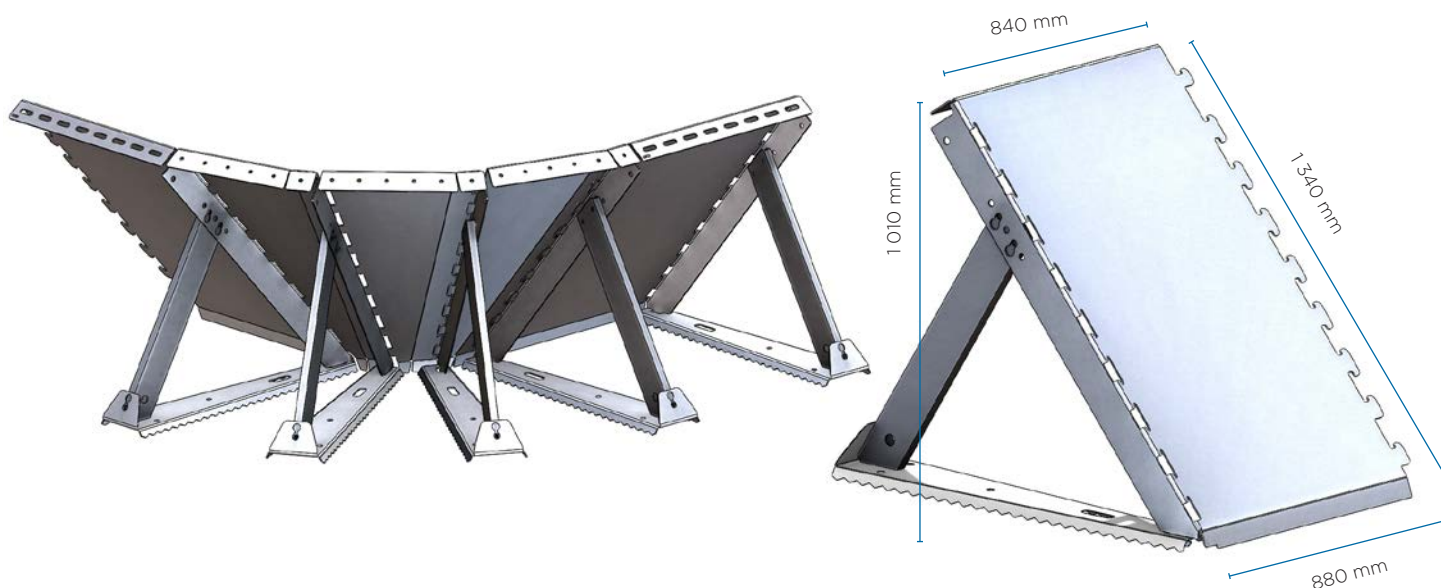


INERO™

TECHNICAL SPECIFICATION

INERO FLOOD BARRIER H100



Height: 101 cm - to stop water levels up to 101 cm

BARRIER SECTION

Material	Seawater-resistant 4 mm marine-grade aluminium EN-AW-5754 H22
Dimensions	L=1340 x W=880 mm. Plus a 90 mm lip on one short side and a 110 mm lip on one long side
Weight	14.6 kg

SUPPORT LEG

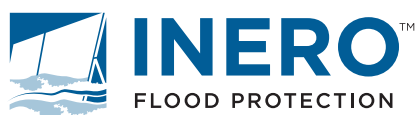
Material	Aluminium profile
Dimensions	873 x 120 x 30 mm
Weight	2.1 kg

FOOT BEAM

Material	4.0 mm marine-grade aluminium
Dimensions	1125 x 250/150 mm
Weight	2.6 kg

TOTAL WEIGHT

Total weight per complete section/per meter	19,3/22,4 kg
Total number of barrier sections/100 m	116 pcs



www.inero.se

CORNER SECTION	Three 30° corners make a 90° corner
Material	Seawater-resistant 4 mm
Dimensions	1 321 x 845/450 x 4 mm OUTER 1 321 x 803/450 x 4 mm INNER
Weight	8,9 kg OUTER 8,8 kg INNER

MEMBRANE	
Material	polyethylene membrane
Dimensions membrane	2 x 1350 x 0,25 mm
No. of meters per roll	30 lpm
Dimensions roll	1350 mm x 120 mm
Weight per roll	20 kg
Other	UV proof, special mix to keep "soft" and strong in all weather situation, incl. cold temperatures.

HEAVY CHAIN	
Dimensions per chain	5 m x 12 mm
Weight	15 kg (3 kg/m)
Other	Includes a carabiner to facilitate fixation of the chain

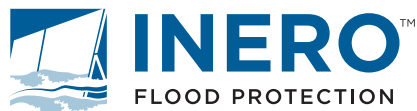
STEEL PALLETS & STORAGE	
Material	Galvanized steel
Dimensions steel pallet 1 (barrier)	1500 mm x 1000 mm x 1100 mm
No. meters per pallet	50 m
Storage space for 100 m	3,5 m ³
Weight per pallet	1300 kg
Dimensions steel pallet 3 (heavy chains)	1500 mm x 1000 mm x 600 mm
Weight per pallet	1200 kg
Stackable pallets	Yes

SECURITY AND CERTIFICATION	
Independent test institute	Wasserbau Institute, Harburg, Germany HS Wallingford, Wallingford, UK
Load test	Yes, without any deformation
Leakage rate	Yes, < 40 liters/meter/hour
Long term leakage rate, 22 hrs	Yes, < 40 liters/meter/hour
Overtopped in test	Yes, with remained stability
Impact test, weight	Log 225 kg, Log 400 kg
Impact test, velocity	1,5 m/s, 2 m/s, 2,5 m/s
Impact test, results	No loss of functionality detected, system remained stable after all impacts
Wave test	HR Wallingford, UK
Simulation	YES, separate report Veprox, Sweden, Uniso Technologies, Sweden
Safety factor	2,7
Tensile strength per quick connectors	8000 N
No. of quick connectors	8 per section
Total tensile strength between the section	64 000 N
Tested in real situation	YES, several times in Sweden, UK, Germany, Balkan

INSTALLATION	
Installation without any extra substructures nor special tools	YES, only need of a hand tool as a spanner
Time for installing 100 meters of barrier (by 4 people) H100	1 hrs
Installation on different types of substrates (asphalt, soil, grass, gravel, concrete)	Yes

Producer and head office In Sweden

Distributor for Canada



www.inero.se



www.Inerofloodprotection.com